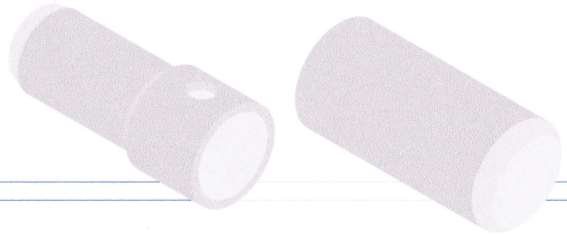
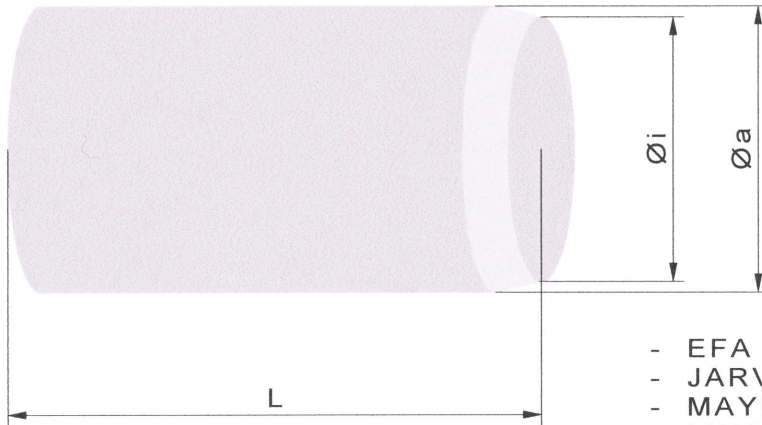


Vent Cutter



Vent cutter for the slaughterhouse and cutting applications.



- EFA
- JARVIS
- MAYN
- LINCO
- STORK

in order to produce a detailed drawing, a photo or sample knife can be very helpful along with basis information.

	in mm	
Length	L	
Ø (inner)	Øi	
Ø (outer)	Øa	
Type		

rotating clockwise

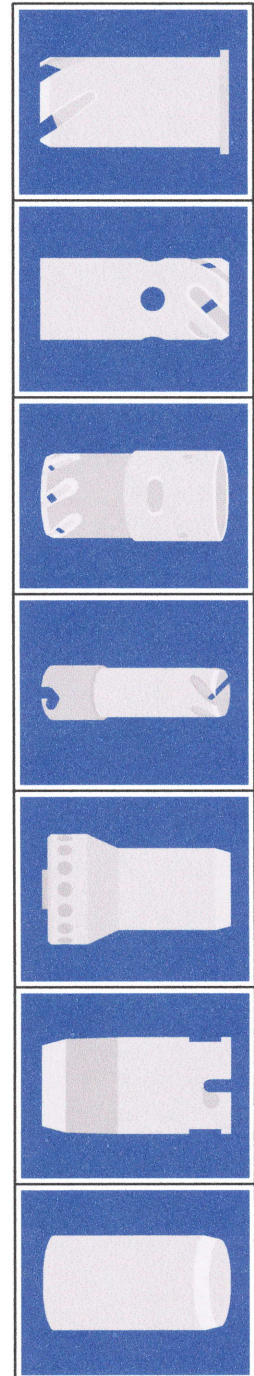


rotating anti-clockwise



	Quantity		Diameter		
			Width	rotating clockwise	rotating anti-clockwise
Holes					
Slots					
Cutting edge					

	1.2379	1.3343	1.4034	1.4112
Material				



Other types available on request.